

**** Note:**
 For X & Y provide the minimum lengths of straight pipe as per manufacturer's recommendations for each Flow Meter Fitting

* Contractor shall coordinate pipe connections w/ ATC Contractor

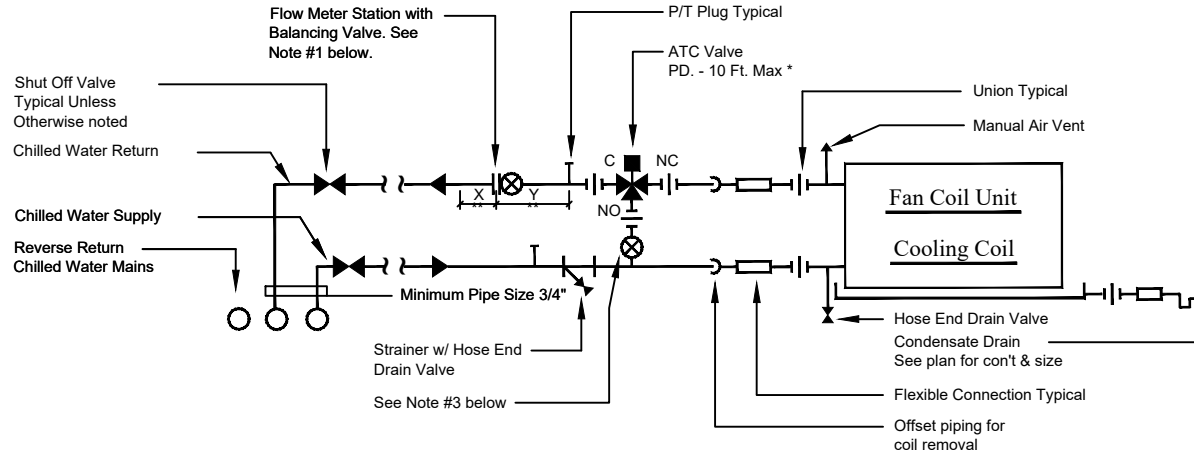
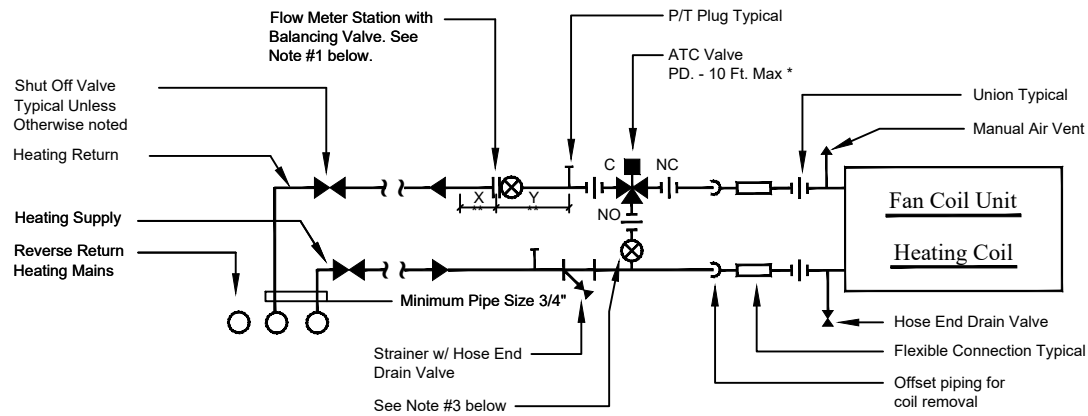
Fan Coil Unit - 4 Pipe System

Typical Coil Connections - 2 Way Control Valves

No Scale

Notes :

1. When the Strainer Elevation is lower than the Coil the Hose End Drain Valve at the coil can be deleted.
2. See Valve and Fitting Installation Detail for Additional Requirements



**** Note:**
For X & Y provide the minimum lengths of straight pipe as per manufacturer's recommendations for each Flow Meter Fitting

*Contractor shall coordinate pipe connections w/ ATC Contractor

Fan Coil Unit - 4 Pipe System

Typical Coil Connections - 3 Way Control Valves

No Scale

Notes :

1. When the Strainer Elevation is lower than the Coil the Hose End Drain Valve at the coil can be deleted.
2. See Valve and Fitting Installation Detail for Additional Requirements
3. Use Valve as a Balancing Valve with a Memory Stop.