

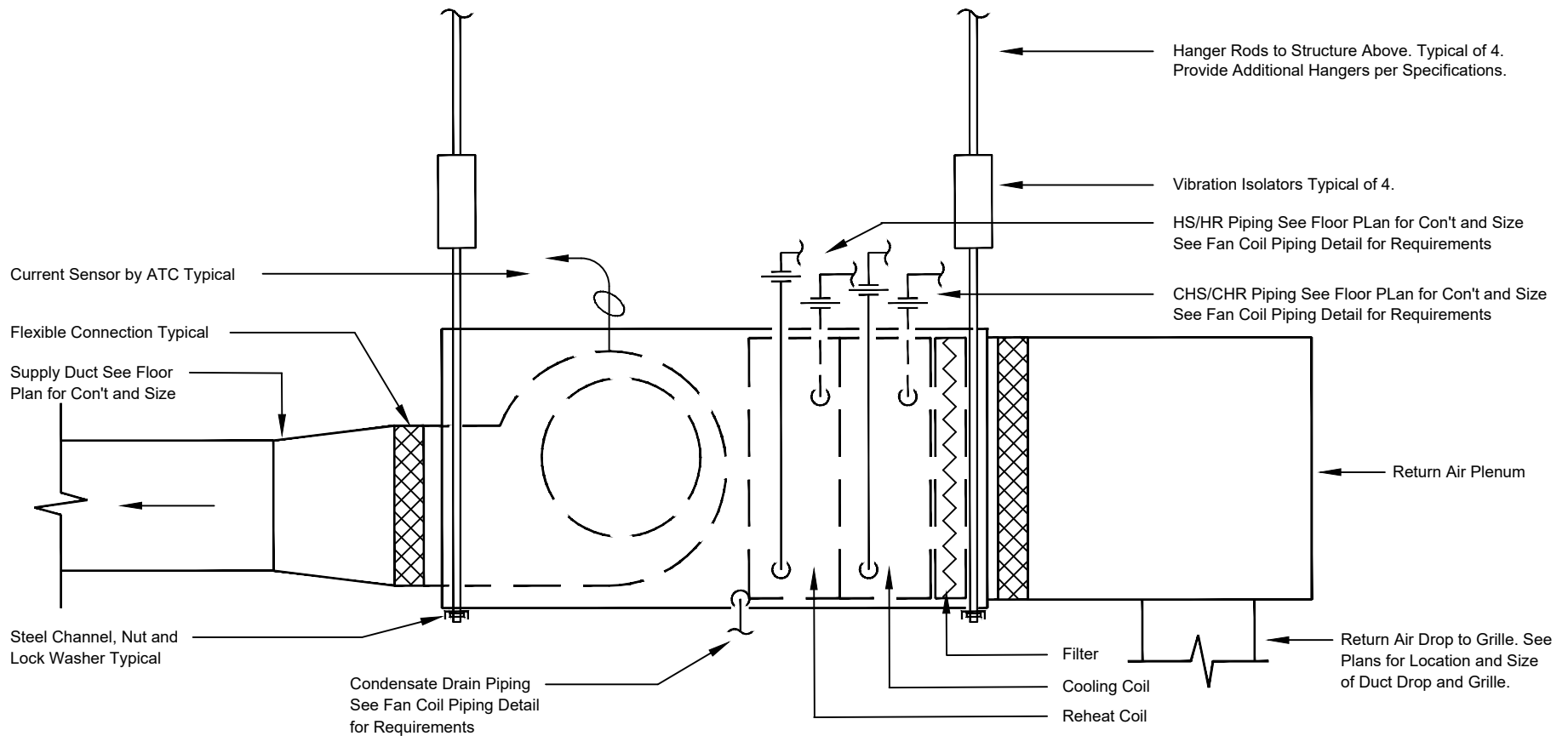
Elevation

Horizontal Fan Coil Unit Duct Connection Detail

No Scale

Notes :

1. When the Strainer Elevation is lower than the Coil the Hose End Drain Valve at the coil can be deleted.
2. See Valve and Fitting Installation Detail for Additional Requirements



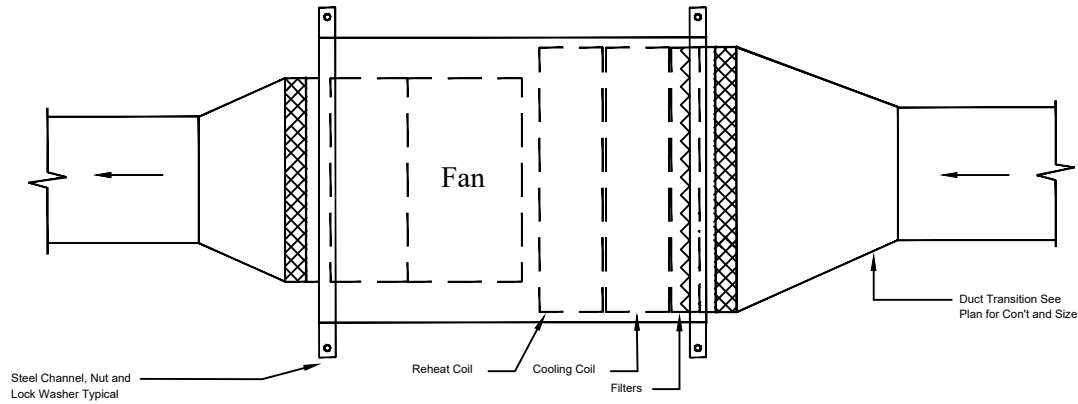
Elevation

Horizontal Fan Coil Unit Duct Connection Detail

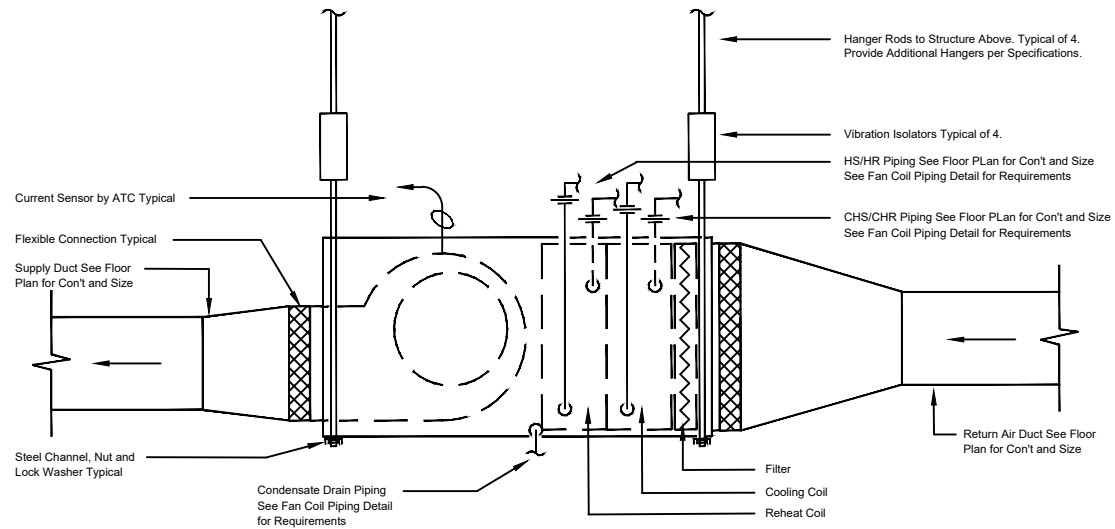
No Scale

Notes :

1. When the Strainer Elevation is lower than the Coil the Hose End Drain Valve at the coil can be deleted.
2. See Valve and Fitting Installation Detail for Additional Requirements



Plan View



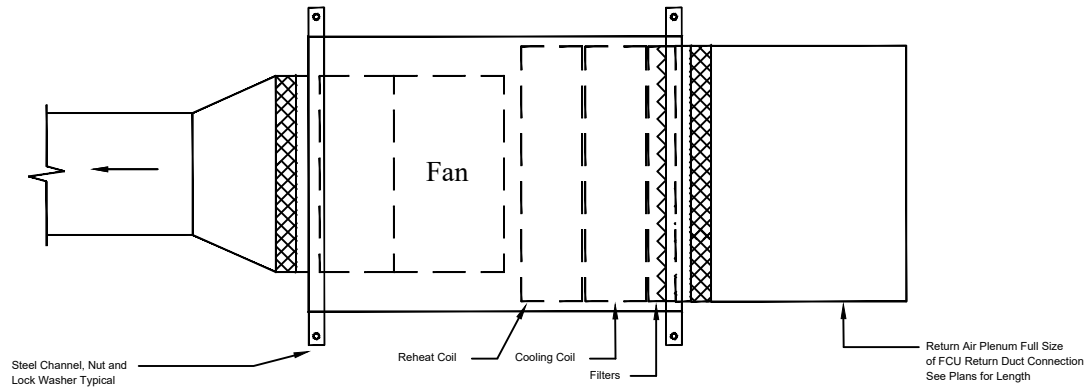
Elevation

Horizontal Fan Coil Unit Duct Connection Detail

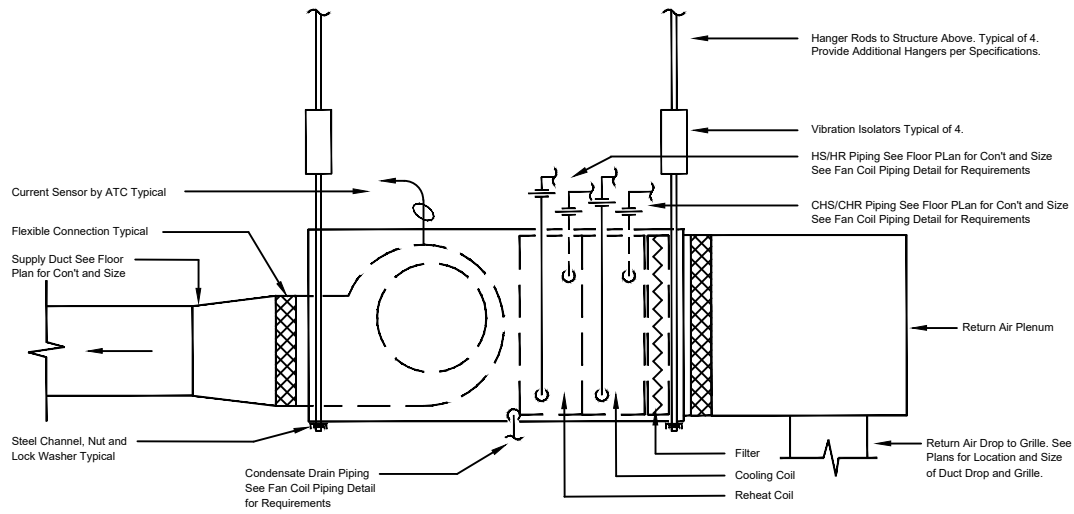
No Scale

Notes :

1. When the Strainer Elevation is lower than the Coil the Hose End Drain Valve at the coil csan be deleted.
2. See Valve and Fitting Installation Detail for Additional Requirements



Plan View



Elevation

Horizontal Fan Coil Unit Duct Connection Detail

No Scale

Notes :

1. When the Strainer Elevation is lower than the Coil the Hose End Drain Valve at the coil can be deleted.
2. See Valve and Fitting Installation Detail for Additional Requirements