

HVAC Hydronic Systems - Metallic Pipe Installation - Ethernet Application

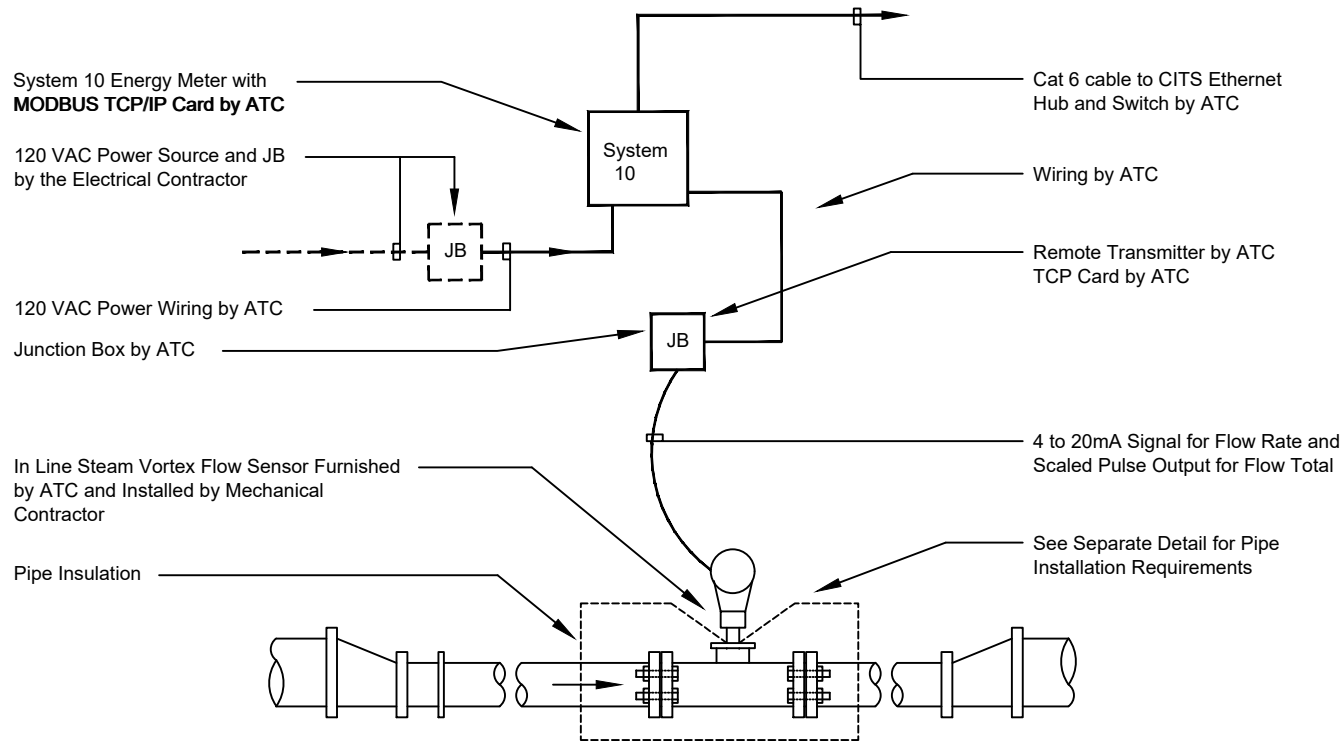
Detail:Installation - Insertion Electromagnetic BAS Energy Meter

No Scale

Note:

HVAC Hydronic Systems using Metallic Pipe and Fittings include Chilled Water, Heating Water, Condenser Water, and Energy Recovery Systems Unless Otherwise Noted.

Mount System 10 Panel on the Nearest Wall 60 Inches Above the Finished Floor.



HVAC Steam System - Metallic Pipe Installation - Ethernet Application

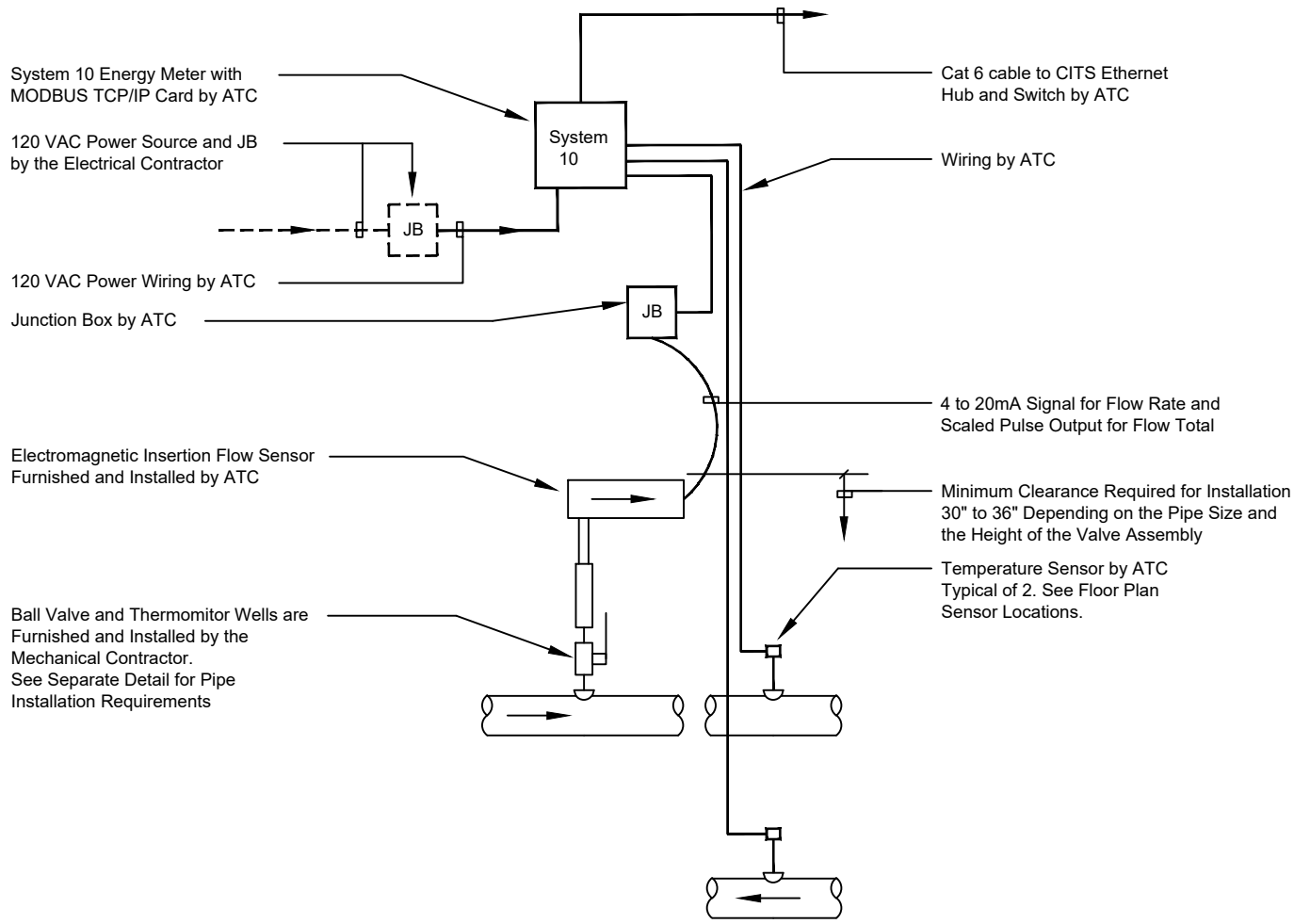
Detail: Installation - In Line Steam Vortex BAS Energy Meter

No Scale

Note:

HVAC Steam Systems using Metallic Pipe and Fittings include Medium Pressure Systems and Low Pressure Systems Unless Otherwise Noted.

Mount System 10 Panel on the Nearest Wall 60 Inches Above the Finished Floor.



HVAC Hydronic Systems - Metallic Pipe Installation - Ethernet Application

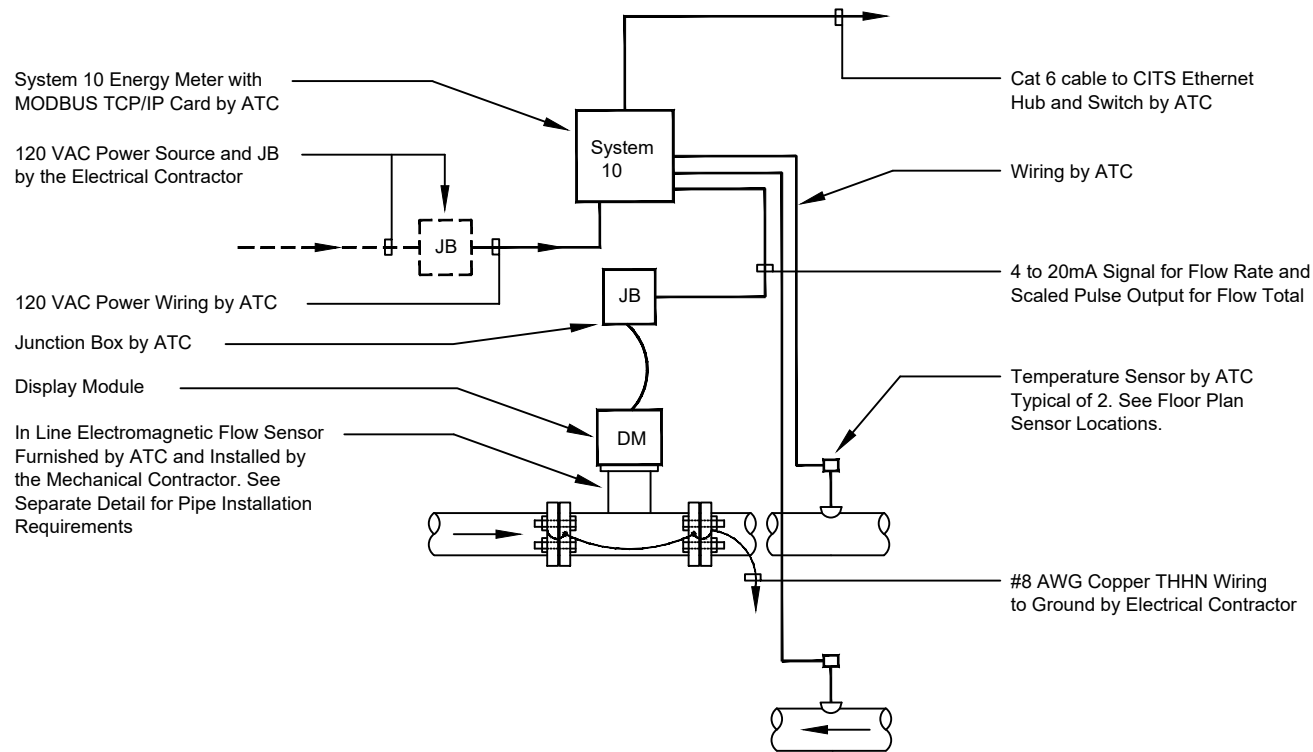
Detail:Installation - Insertion Turbine BAS Energy Meter

No Scale

Note:

HVAC Hydronic Systems using Metallic Pipe and Fittings include Chilled Water, Heating Water, Condenser Water, and Energy Recovery Systems Unless Otherwise Noted.

Mount System 10 Panel on the Nearest Wall 60 Inches Above the Finished Floor.



HVAC Hydronic Systems - Metallic Pipe Installation - Ethernet Application

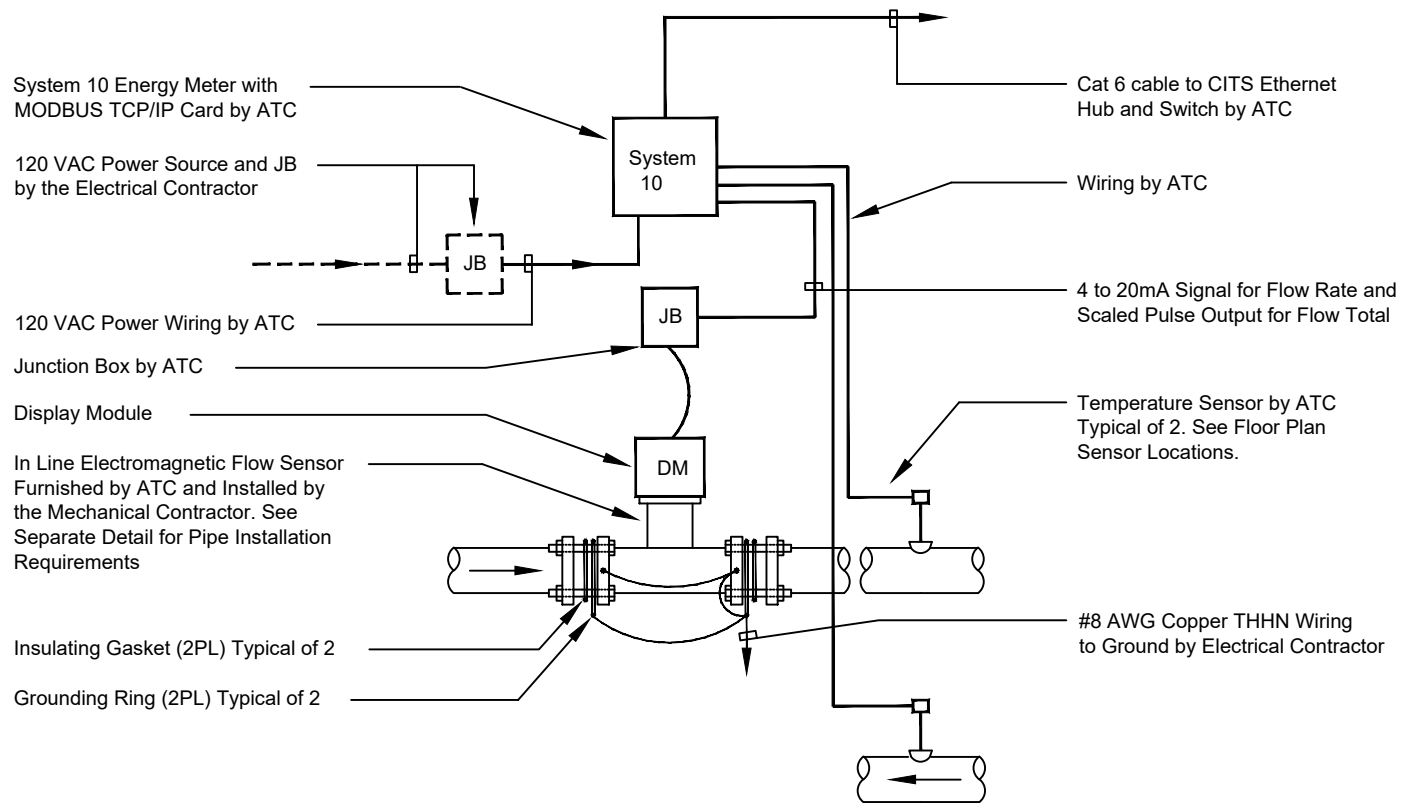
Detail:Installation - In Line Electromagnetic BAS Energy Meter

No Scale

Note:

HVAC Hydronic Systems using Metallic Pipe and Fittings include Chilled Water, Heating Water, Condenser Water, and Energy Recovery Systems Unless Otherwise Noted.

Mount System 10 Panel on the Nearest Wall 60 Inches Above the Finished Floor.



Condenser Water System - Non Metallic Pipe Installation - Ethernet Application
Detail:Installation - In Line Electromagnetic BAS Energy Meter

No Scale

Note:

HVAC Hydronic Systems using Non Metallic Pipe and Fittings are Limited to Condenser Water Systems Installed above the Roof Level Unless Otherwise Noted.

Mount System 10 Panel on the Nearest Wall 60 Inches Above the Finished Floor.

